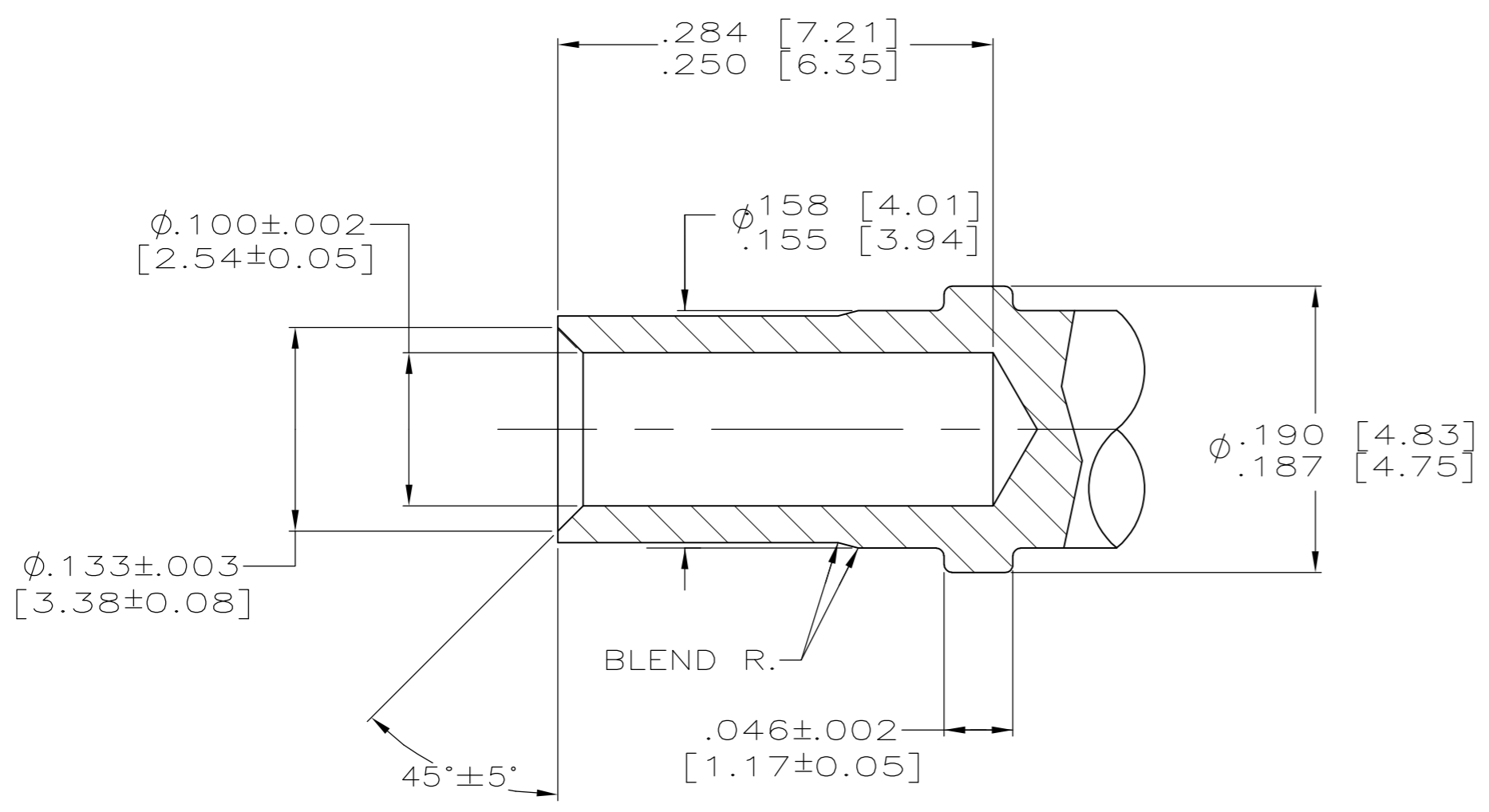
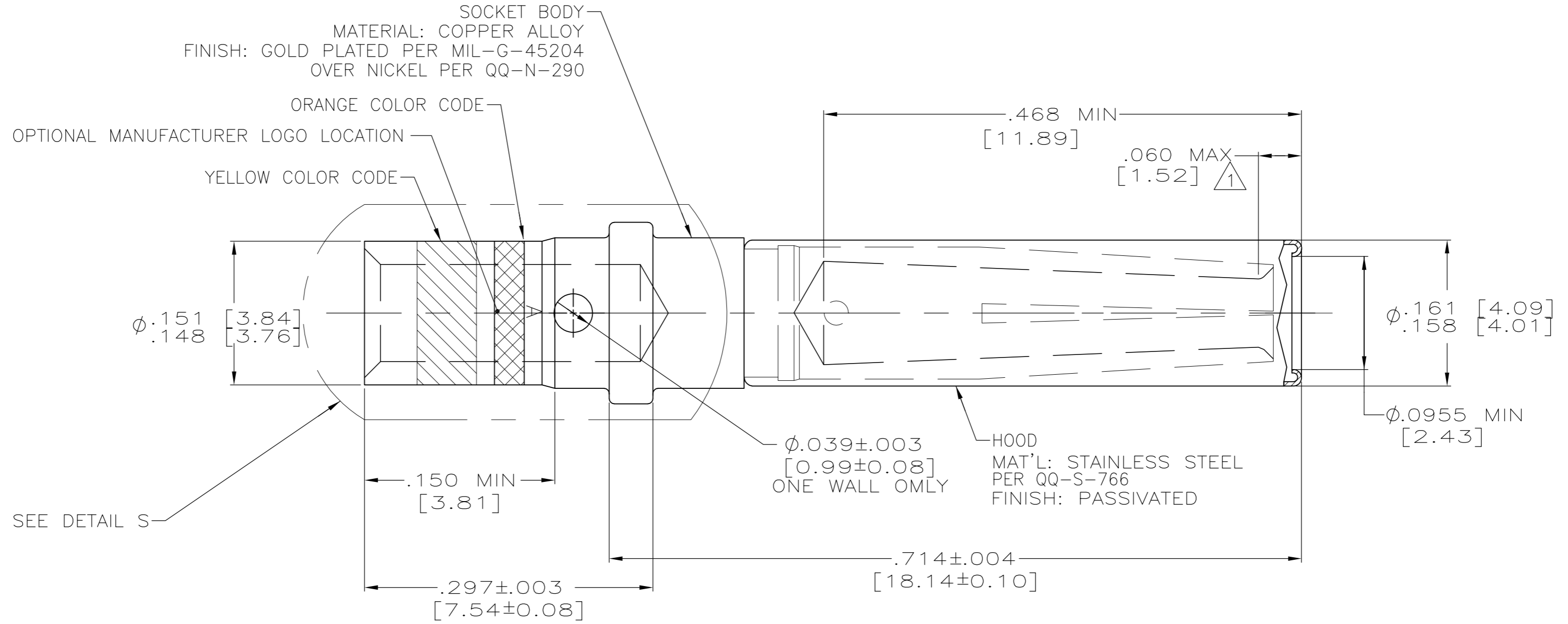


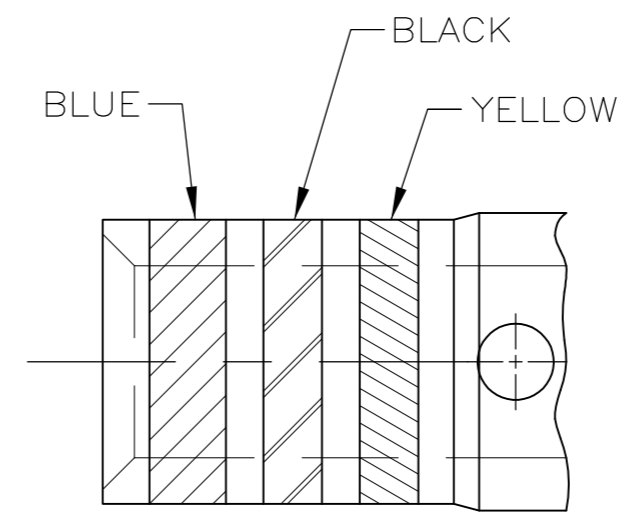
THIS DRAWING IS UNPUBLISHED. RELEASED FOR PUBLICATION
 © COPYRIGHT - By - ALL RIGHTS RESERVED.

LOC		DIST		REVISIONS			
P	LTR	DESCRIPTION		DATE	DWN	APVD	
F		REV PER ECO 11-016604		8-16-11	CT	WB	

ELECTRICAL ENGAGEMENT POINT.



DETAIL S



DETAIL A
 COLOR CODE
 (208273-4 ONLY)

SEE DETAIL A	208273-4
AS SHOWN	208273-2
REMARKS	PART NO.

THIS DRAWING IS A CONTROLLED DOCUMENT.		DWN	C.C.THOMAS	9/11/98		TE Connectivity														
DIMENSIONS: INCHES		CHK	S.GLATFELTER	9-14-98		NAME														
TOLERANCES UNLESS OTHERWISE SPECIFIED:		APVD	S.GLATFELTER	9-14-98		SOCKET CONTACT ASSY, SIZE 12,ARINC 600														
<table border="1"> <tr><td>0 PLC</td><td>± -</td></tr> <tr><td>1 PLC</td><td>± -</td></tr> <tr><td>2 PLC</td><td>± -</td></tr> <tr><td>3 PLC</td><td>± .005 [0.13]</td></tr> <tr><td>4 PLC</td><td>± -</td></tr> <tr><td>ANGLES</td><td>± -</td></tr> </table>		0 PLC	± -	1 PLC		± -	2 PLC	± -	3 PLC	± .005 [0.13]	4 PLC	± -	ANGLES	± -	PRODUCT SPEC		SIZE		CAGE CODE	DRAWING NO
0 PLC	± -																			
1 PLC	± -																			
2 PLC	± -																			
3 PLC	± .005 [0.13]																			
4 PLC	± -																			
ANGLES	± -																			
MATERIAL: SEE CALLOUTS		FINISH: SEE CALLOUTS		WEIGHT		A2 00779 C=208273		-												
CUSTOMER DRAWING				SCALE 10:1		SHEET 1 of 1		REV F												